

EXC-B184L LED Flood Light

DC



AC



Application Environment:
Indoor
Outdoor

Description

EXC-B184L series are high power outdoor landscape flood lighting fixture with high strength aluminum alloy housing by EXC-LED. Each lighting fixture can be used for accent lighting or flood lighting, such as building facade, bridge, stage, etc.

Features

- The newest generation technology: DMX512 parallel bus design
- High strength aluminum and low thermal resistance path cooling design
- Glass structure waterproof
- Outdoor lighting protection and electrostatic discharge (ESD) protection design
- Load safety design
- Projection distance: 3-15m

Basic Specifications

Color Range	RGBW/RGB/W
Light Source	SMD R/G/B/W/RGBW 4in1 LEDS
Source Life	35000 h
Material	(High Strength Aluminum housing + tempered glass)
Weight	2.34Kg

Environmental Specifications

Working Temperature	-40°C-50°C
Storage Temperature	-40°C-70°C
Protection Rating	IP66

Electrical Specifications

Working Voltage	DC24V/AC 220V
Max. Power Consumption	72W

Optical Specifications

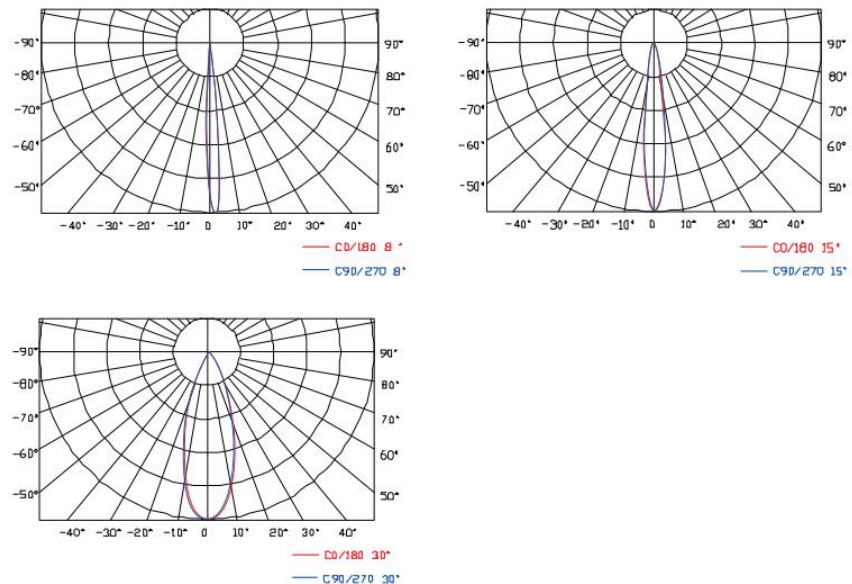
Beam Angle	3535: 17° /20° /30° /45° /60° 、80°
------------	------------------------------------

Controller

Host Controller	EXC-M520B
Slave Controller	EXC-2905T

Light Intensity Distribution

Light Intensity Chart



Order Info

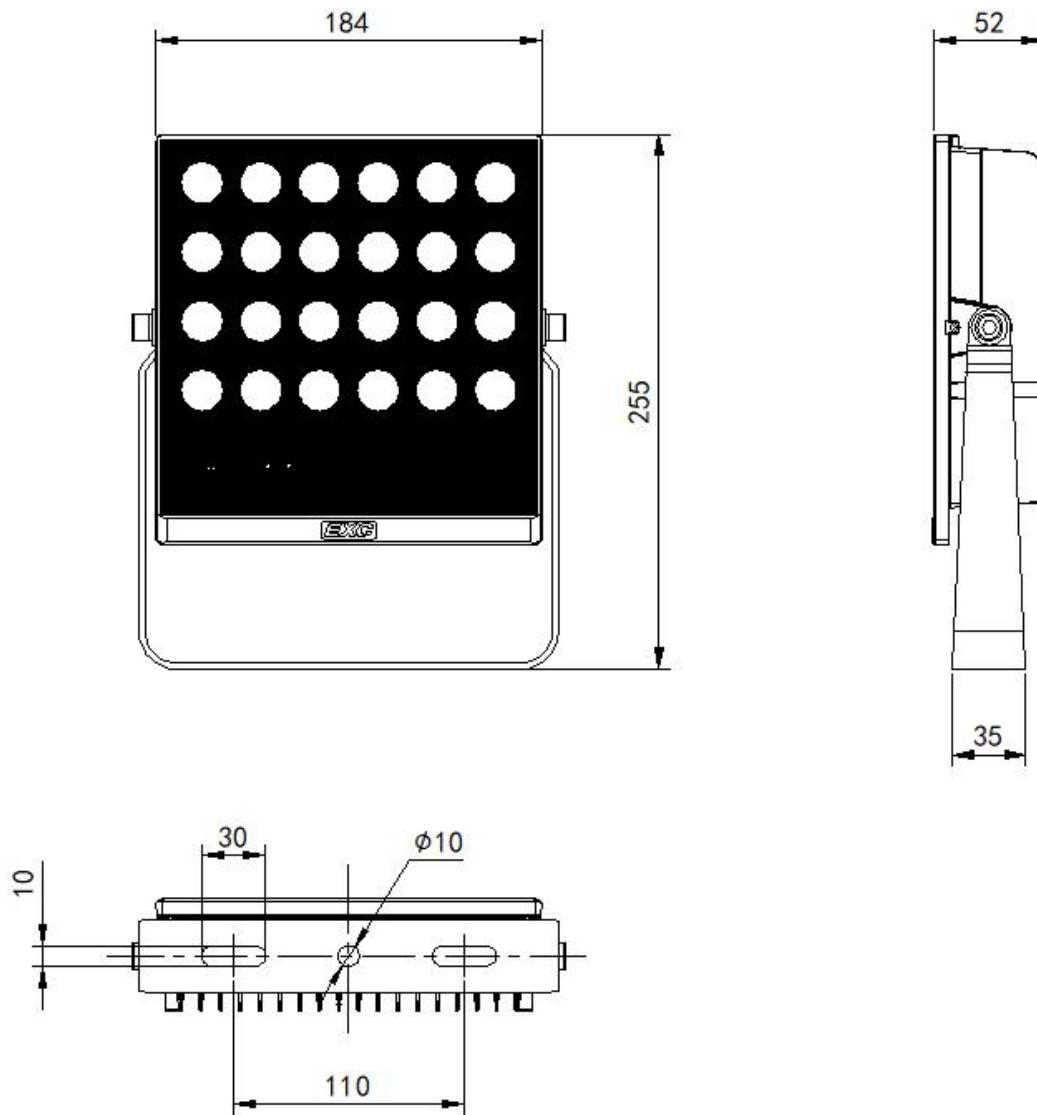
Model	Voltage	Watt	Light Source	Control	Grey Scale	Material	Flux	LED Brand
EXC-B184L	DC24V	72W	24PCS RGBW	DMX512	256/ 65536	Aluminum Housing+Tempered Glass	≥40lm/w	Optional
EXC-B184L	DC24V	72W	6R+6G+6B+6W	DMX512	256/ 65536	Aluminum Housing+Tempered Glass	≥40lm/w	可选
EXC-B184	DC24V	72W	8R+8G+8B	DMX512	256/ 65536	Aluminum Housing+Tempered Glass	≥30lm/w	可选

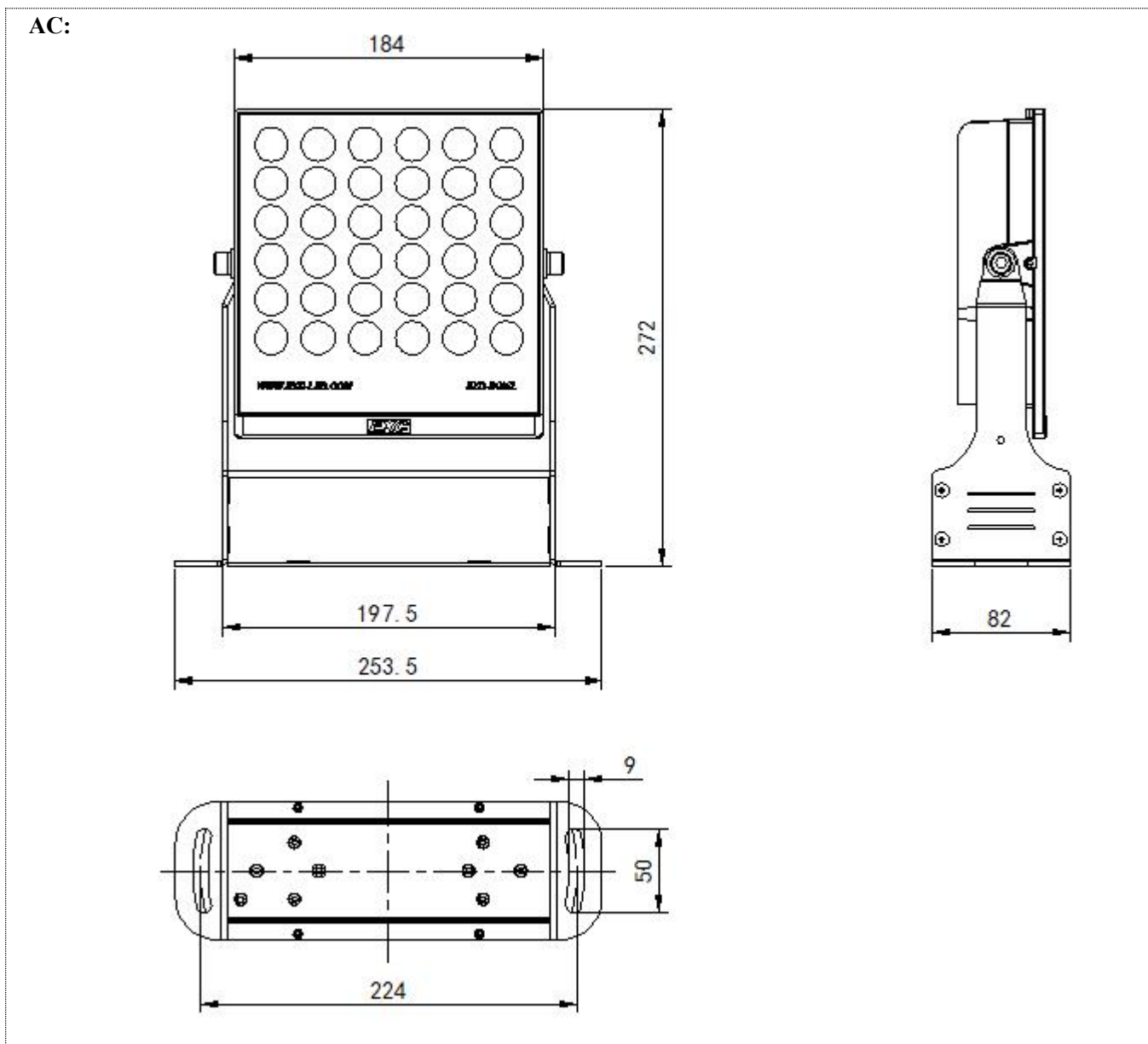
EXC-B184	DC24V	72W	24PCS W	ON/OFF	/	Aluminum Housing+Tempered Glass	≥70lm/w	Optional
EXC-B184L	AC220V	108W	9R+9G+9B+9W	DMX512	256/65536	Aluminum Housing+Tempered Glass	≥40lm/w	Optional
EXC-B184L	AC220V	72W	6R+6G+6B+6W	DMX512	256/65536	Aluminum Housing+Tempered Glass	≥40lm/w	Optional
EXC-B184	AC220V	108W	12R+12G+12B	DMX512	256/65536	Aluminum Housing+Tempered Glass	≥30lm/w	Optional
EXC-B184	AC220V	72W	8R+8G+8B	DMX512	256/65536	Aluminum Housing+Tempered Glass	≥30lm/w	Optional
EXC-B184	AC220V	72W	24pcs W	ON/OFF	/	Aluminum Housing+Tempered Glass	≥70lm/w	Optional

Physical Dimension

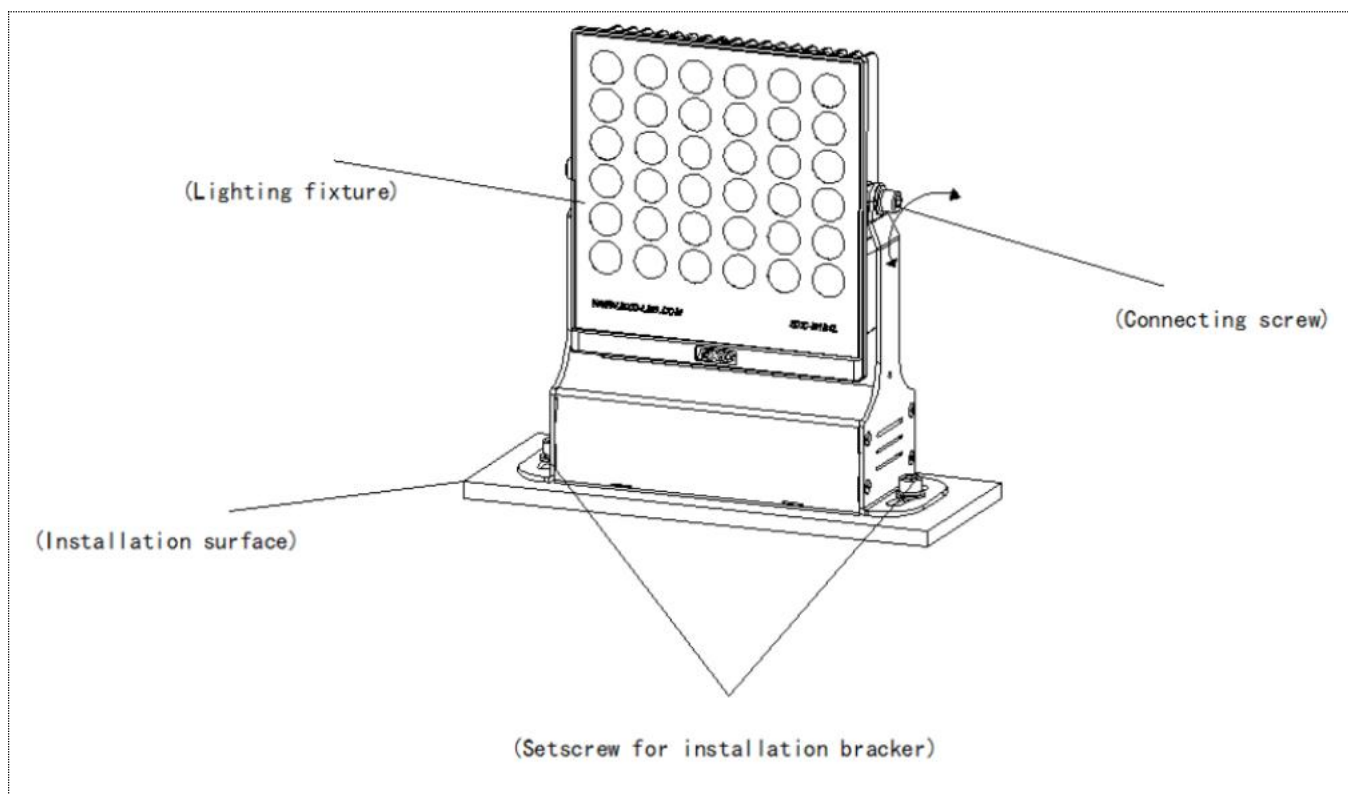
Unit: mm

DC:





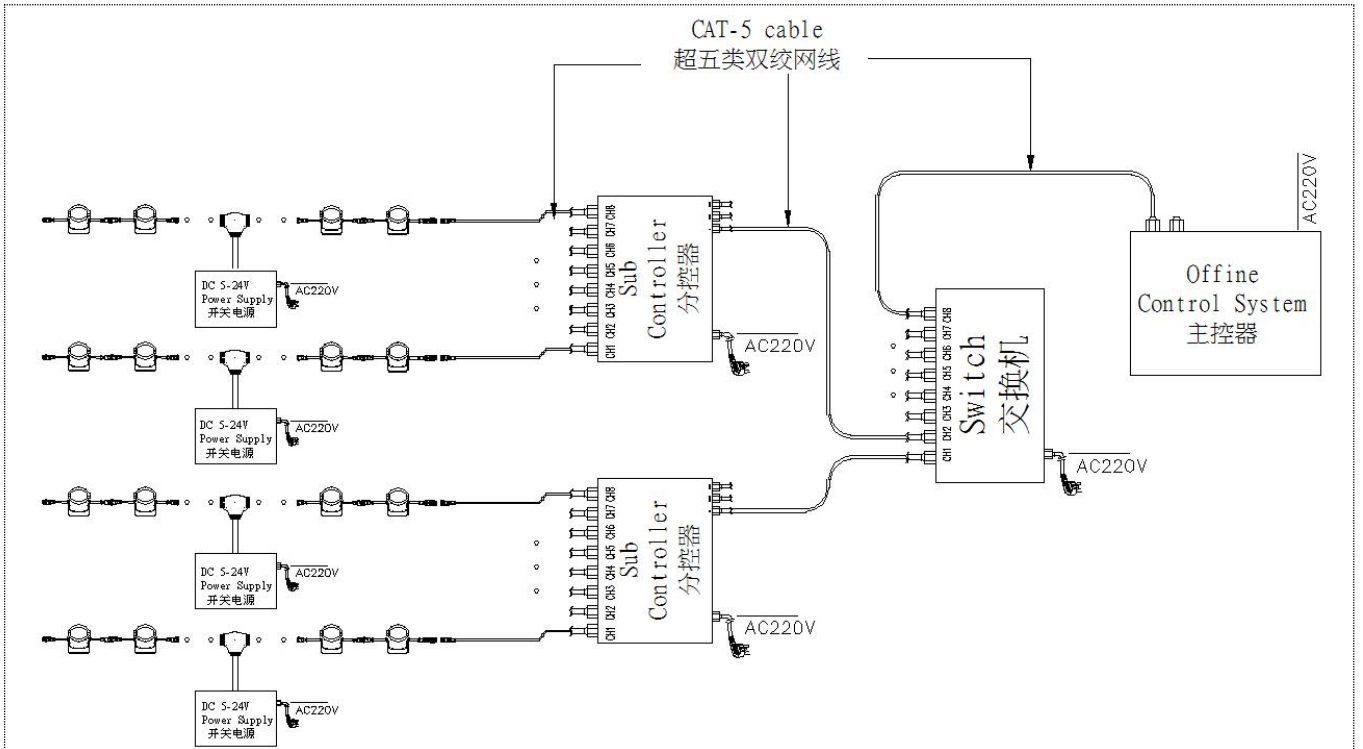
Installation Diagram



System connection diagram:

- 1、 Host controller should connect with slave controller. Working voltage for controllers are AC220V.
- 2、 On-line main controller should connect with slave controller, on-line main controller and sub controller working voltage are AC220V.
- 3、 each sub-controller with 8 ports, with each port 512 pixels, supporting data converter, supports 100 meters ultra-long haul transmission.
- 4、 The CAT-5 e. cable distance should be within 100 meters between host controller and slave controller, between slave controllers and switch, etc.
- 3、 the maximum spacing of not more than 5 meters,add a signal amplifier.

Offline Controlling System Diagram



联机系统图: Online Controlling System Diagram

