

### EXC-B268ABH LED flood light



#### Application Environment:

Indoor  
Outdoor

#### Description:

**EXC-B268ABH project-light lamp series products** are specially designed for outdoor landscape lighting design of a high strength aluminum alloy shell, bar monochromatic high-power extremely lamp; Can be used for specific lighting area or landscape projection light column, applied to the building high elevation, cylinder face and so on; The projection is high and the effect is outstanding.

#### Features:

- Unique humanized anti-glare cutting light design
- Unique lens design, can achieve ultra narrow, ultra far, ultra bright and other special effect requirements
- Low thermal resistance path cooling design
- Innovative pressure balance waterproof design, protection grade IP66
- Lightning and ESD protection

#### Basic Specifications

Color Range	RGBW/W
Light Source	SMD RGBW 4in1/R/G/B/W LED
Source Life	35,000h
Material	High Strength Aluminum housing / tempered glass
Weight	45Kg

#### Environmental Specifications

Working Temperature	-40°C to 50°C -40°C to 50°C
Storage Temperature	-40°C to 70°C -40°C to 70°C
Protection Rating	IP66

#### Electrical Specifications

Working Voltage	AC220V
Max. Power Consumption	2000W

#### Optical Specifications

Beam Angle	3030-P7/3535-XP/3535-Chinese: 6° /8° /10° /15° /20° /30° /45° /60° /80° 3535-XPP: 5° 5050 RGBW 4in 10-20W: 5° 3535 RGBW 4in1-4W: 10° /17° /20° /30° /45° /60°
------------	--

Controller	
Host Controller	EXC-Y220、EXC-Y880、EXC-M520、EXC-M620、EXC-M630、EXC-M830、EXC-6000、EXC-8000、EXC-10000
Slave Controller	EXC-2905T、EXC-S880

Light Intensity Distribution	
Light Intensity Chart	

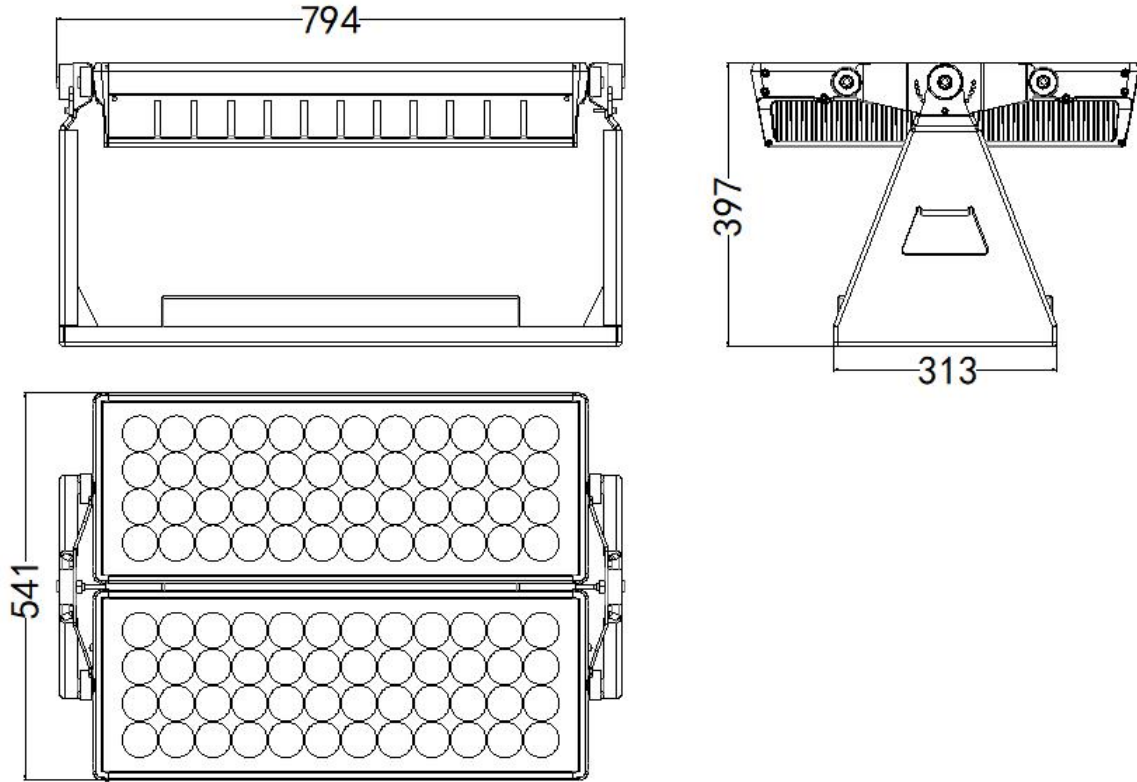
Order Info								
Product Model	Voltage	Power	Light Source	Control Protocol	Gray Scale Level	Material	Luminous Efficacy	Luminous Efficacy
EXC-B268ABH	AC220V	600*2 W	144*2pc RGBW	DMX512	≥ 256	aluminum +glass	≥45lm/w	Optional
EXC-B268ABH	AC220V	600*2 W	(36R+36G+36B +36W) *2	DMX512	≥ 256	aluminum +glass	≥45lm/w	Optional
EXC-B268ABH	AC220V	1000*2 W	48*2pc RGBW	DMX512	≥ 256	aluminum +glass	≥25lm/w	Optional
EXC-B268ABH	AC220V	500*2 W	144*2pc W	DMX512 or ON/OFF	≥ 256	aluminum +glass	≥60lm/w	Optional
EXC-B268ABH	AC220V	350*2 W	70*2pc W	DMX512 or ON/OFF	≥ 256	aluminum +glass	≥45lm/w	Optional
EXC-B268ABH	AC220V	240*2 W	48*2pc W	DMX512 or ON/OFF	≥ 256	aluminum +glass	≥45lm/w	Optional

**Note 1:** LED brands: CREE/OSRAM/LUMILEDS/Taiwanese/Chinese options available

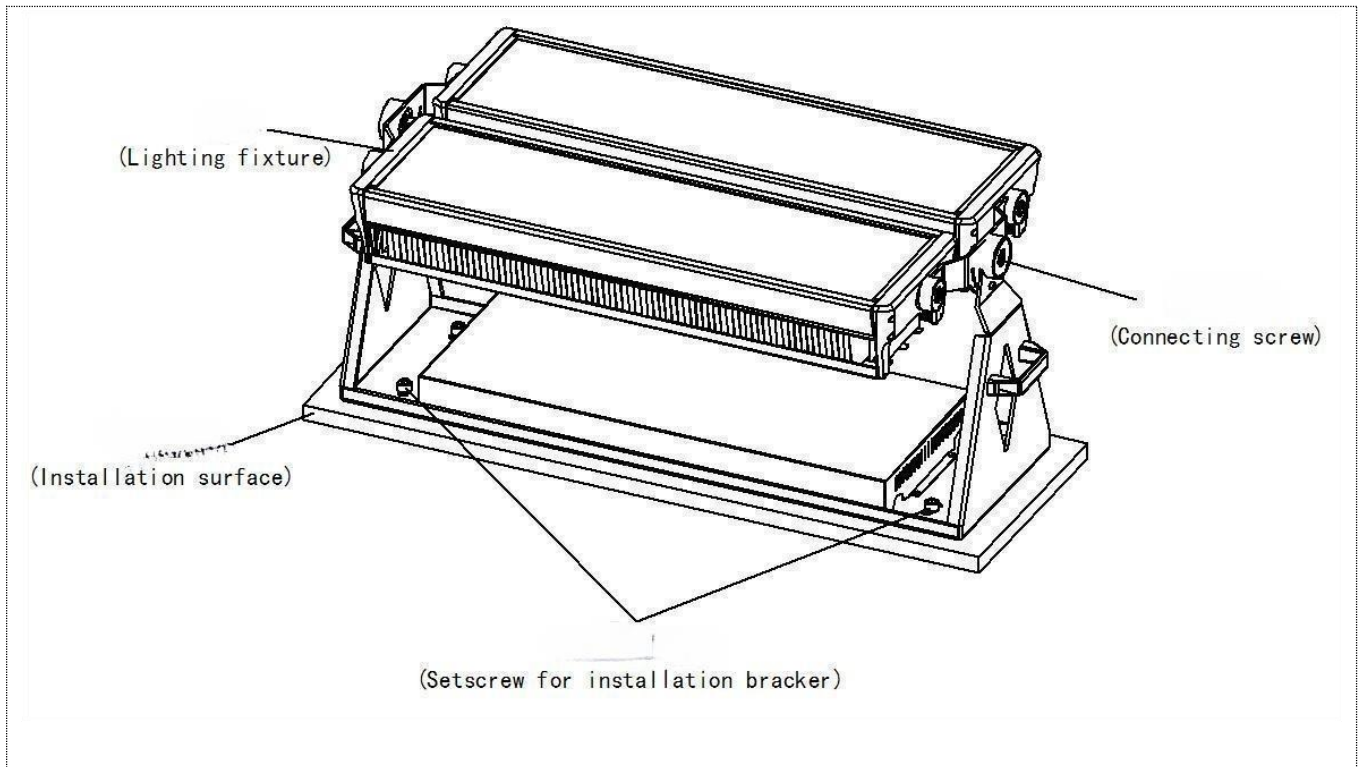
**Note 2:** For optical parameters above 2700K, CREE/OSRAM/LUMILEDS chips are used as references

**Physical Dimension:**

Unit: mm



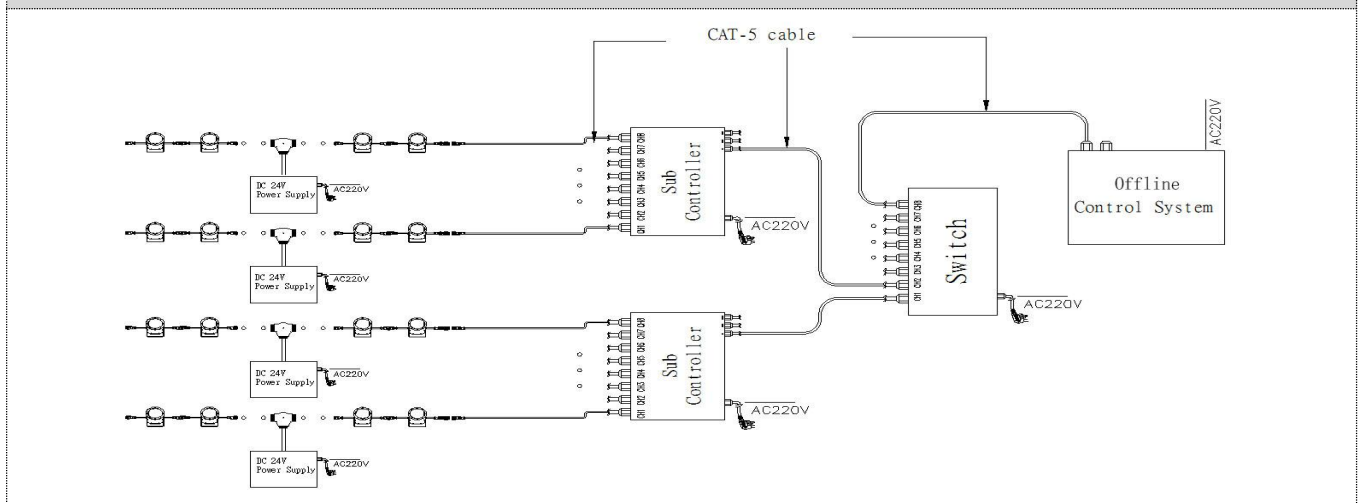
**Installation Diagram:**



### System connection diagram:

- 1、 Host controller should connect with slave controller. Working voltage for controllers are AC220V.
- 2、 On-line main controller should connect with slave controller, on-line main controller and sub controller working voltage are AC220V.
- 3、 each sub-controller with 8 ports, with each port 512 pixels, supporting data converter, supports 100 meters ultra-long haul transmission.
- 4、 The CAT-5 e. cable distance should be within 100 meters between host controller and slave controller, between slave controllers and switch, etc.
- 5、 the maximum spacing of not more than 5 meters, more than the need to add a signal amplifier.

### Offline Controlling System Diagram:



**Online Controlling System Diagram:**

