

EXC-B90ABL LED Flood Light



Application Environment:
Indoor
Outdoor

Description

EXC-B90ABL series consists of full-color large-power spotlights with high-strength aluminum-alloy housing specially designed by EXC for outdoor landscape lighting. Each light is a separate lighting pixel, and each pixel can realize 8/16bit grades gray scale changing. It could be used for illumination in specific areas or landscape wash lighting, applicable on building facades, bridges, stages, etc.

Features

- The newest generation technology: DMX512 parallel bus design
- High strength aluminum and low thermal resistance path cooling design
- High reliability modularization design
- Outdoor lighting protection and electrostatic discharge (ESD) protection design
- Load safety design
- Projection distance: 3m

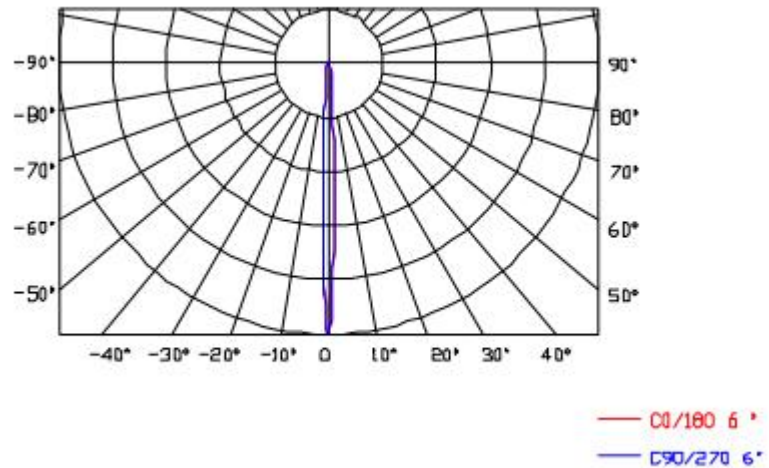
Basic Specifications	
Color Range	W, RGB
Working Voltage	DC 24V
Max. Power Consumption	6W/8W/9W/10W/12W/15W
Light Source	3/4/5PCS High Power LEDs
LED chip Brand	Optional(Cree, OSRAM, Lumileds, Epistar, etc...)
CRI	80
Control	DMX512, ON/OFF
Source Life	50,000 h
Housing	High Strength Aluminum
Cover	Tempered glass
Weight	1.12Kg

Dimensions	90mm x 90mm x 124mm (L x W x H, exclude Mounting Bracket)
Installation	Mounting seat
Working Temperature	-40°C to 60°C
Storage Temperature	-40°C to 70°C
Protection Rating	IP66
Efficiency flux	≥60LM/W(White), ≥40LM/W(RGBW), ≥30LM/W(RGB)
Beam Angle	6°, 10°, 30°, 80° and other angles optional

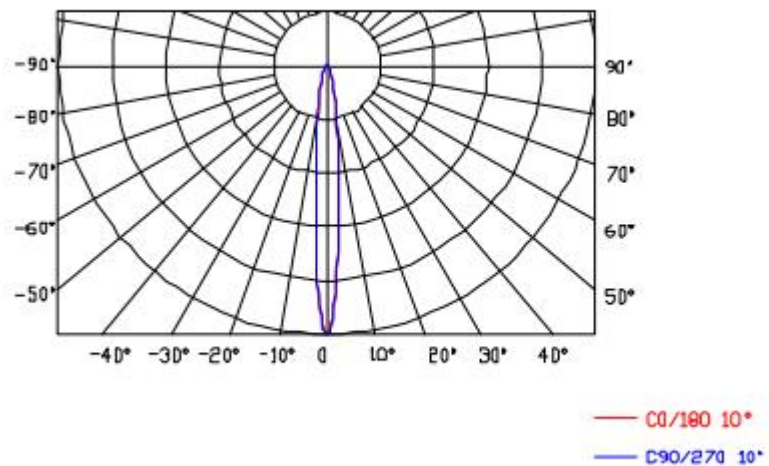
Host Controller	EXC-5200
Slave Controller	EXC-2905T1
Signal Cable	EXC-LED outdoor special cable

Light Intensity Distribution

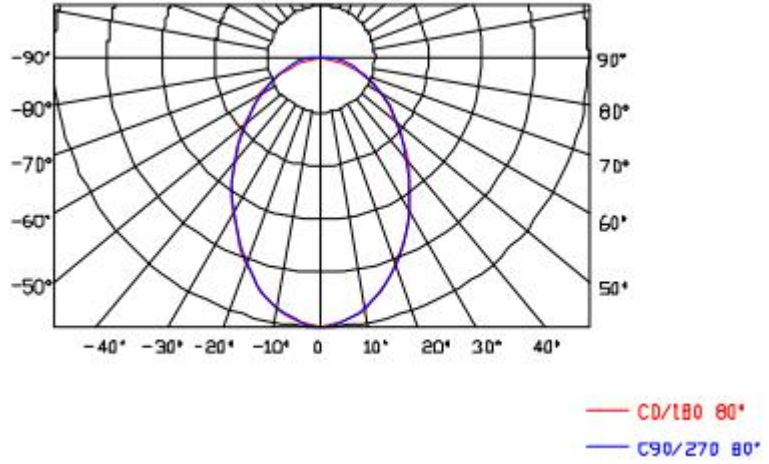
6°
Light Intensity Chart



10°
Light Intensity Chart

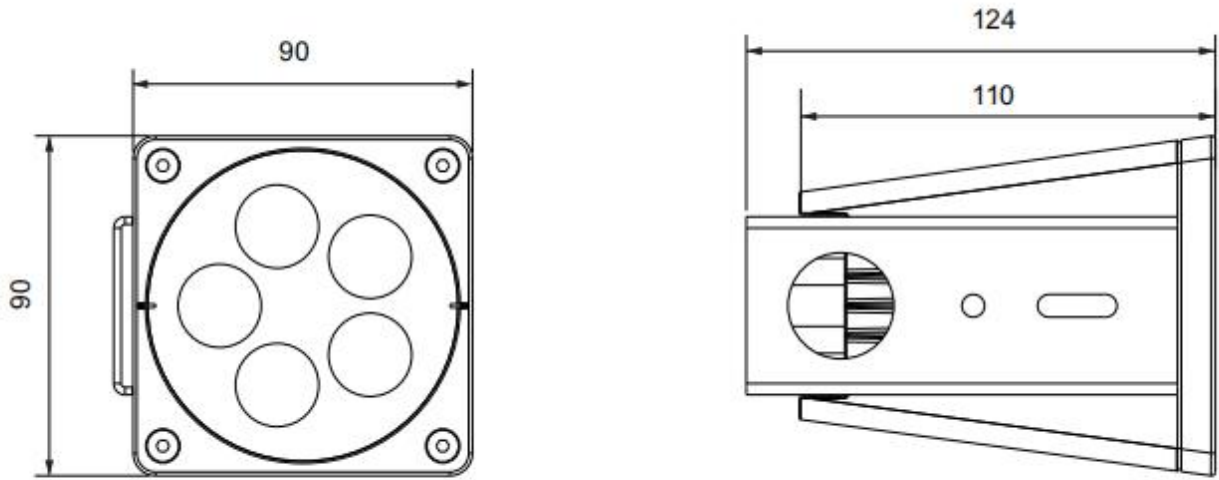


**80°
Light Intensity Chart**



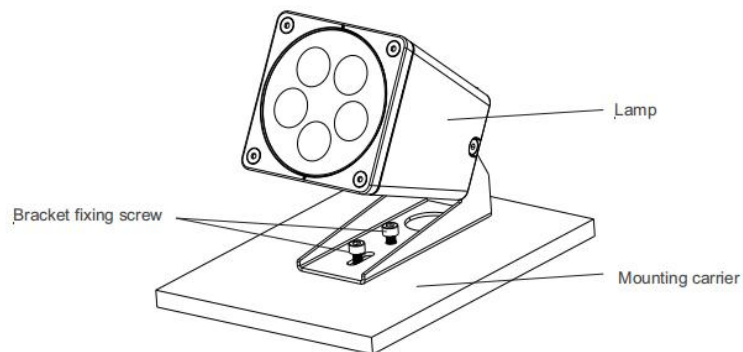
Physical Dimension

Unit: mm



Installation Diagram

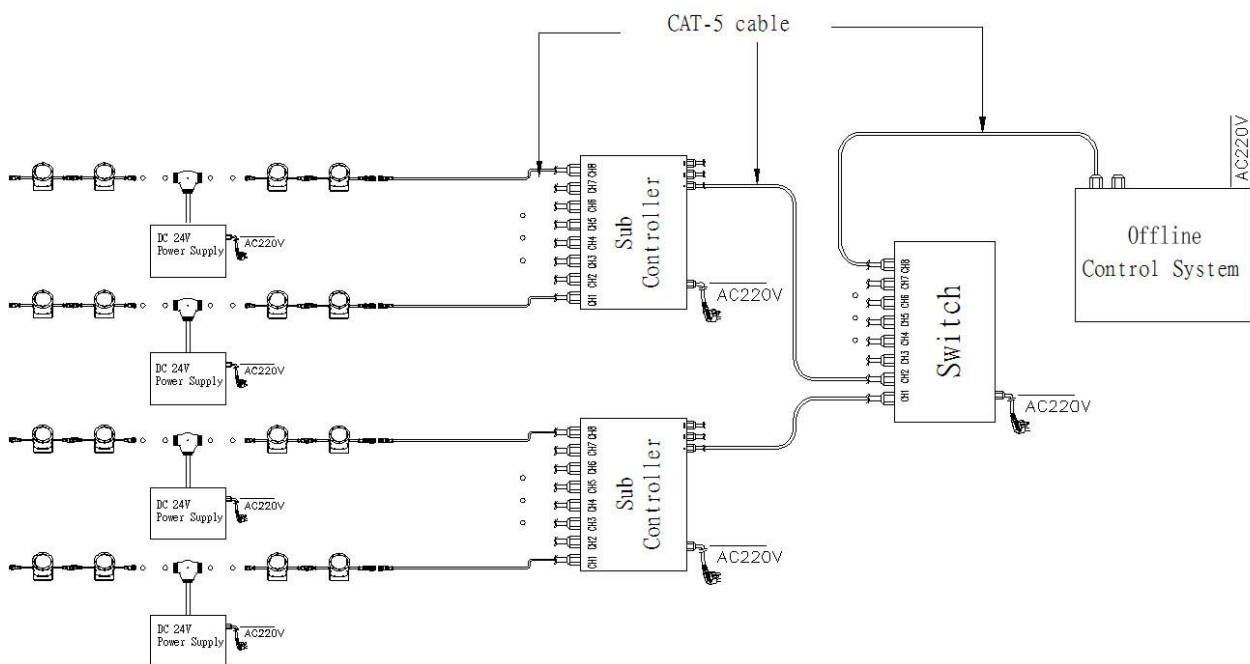
Place the lamp on the mounting carrier as shown in the figure, and then fix the lamp back onto the mounting carrier with M4 screws.



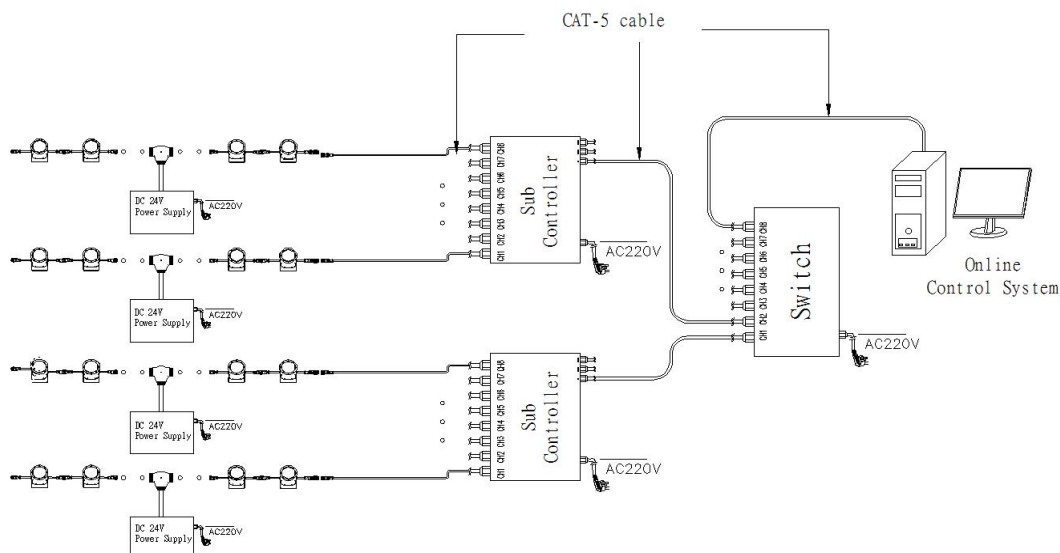
System connection diagram:

- 1、 Host controller should connect with slave controller. Working voltage for controllers are AC220V.
- 2、 On-line main controller should connect with slave controller, on-line main controller and sub controller working voltage are AC220V.
- 3、 each sub-controller with 8 ports, with each port 512 pixels, supporting data converter, supports 100 meters ultra-long haul transmission.
- 4、 The CAT-5 e. cable distance should be within 100 meters between host controller and slave controller, between slave controllers and switch, etc.

Offline Controlling System Diagram



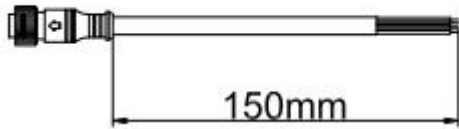
Online Controlling System Diagram



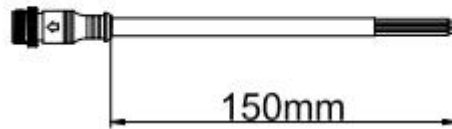
Accessories :

1: Female and Male Connector(Connect to first dot light for signal transmission)

Female Connector

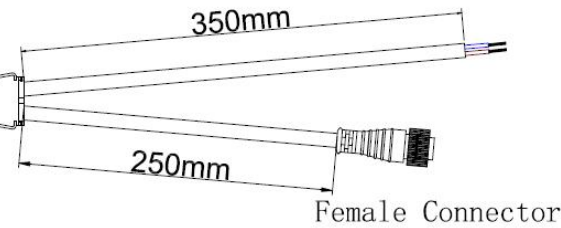
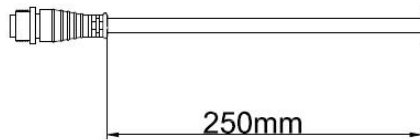


Male Connector



2: Y Shape Connector(For power Distribution)

Male Connector



Female Connector

3: Interconnection Cable(1.3M,3M,5M is standard length)

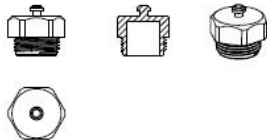
Female Connector



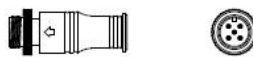
Male Connector



4: End Cap



Male Connector



Male Connector