

Split-type Solar Street light

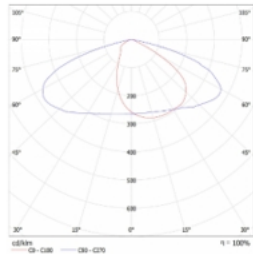
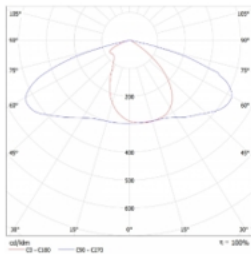
EXC-FR-RA2 series



Introduction

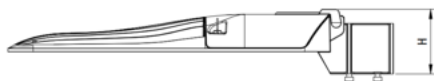
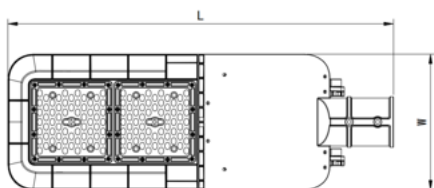
- LED lens is made of high-quality imported optical materials, with accurate light distribution, high efficiency and strong weather resistance;
- A-level LiFePO4 battery, lifespan ≥ 2000 times;
- Adopting MPPT controller, maximum power point tracking technology, tracking efficiency > 99%, high-precision digital boost constant current control algorithm, constant current output, adjustable load current;
- High lighting efficiency 5050 LEDs, 220lm/w;
- ADC12 aluminum alloy shell, IP65 waterproof, can be used in a variety of harsh environment;
- Using high-efficiency monocrystalline silicon wafers, with a conversion efficiency of over 23% and a lifespan of ≥ 25 years;
- LoT function is available, remote control;
- Easy for installation and widely used.

Lighting curve



Size

| Power(W) | Size (mm) | | | Maximum windward area(m ²) | Weight (kg) |
|----------|-----------|-----|-----|--|-------------|
| | L | W | H | | |
| 20 | 478 | 215 | 102 | 0.088 | 2.3KG |
| 40 | 478 | 215 | 102 | 0.088 | |
| 60 | 610 | 215 | 102 | 0.116 | 2.6KG |
| 80 | 610 | 215 | 102 | 0.116 | |



Performance

| | | | | |
|---------------------------------|---|--------------------|---------------------|--------------------|
| Model No. | EXC-FR-RA2-020 | EXC-FR-RA2-040 | EXC-FR-RA2-060 | EXC-FR-RA2-080 |
| Power | 20W | 40W | 60W | 80W |
| luminous flux | 4000lm | 7200lm | 11000lm | 14000lm |
| Solar panel | 18V/50W | 18V/100W | 18V/130W | 18V/160W |
| Lithium battery | LiFePO4 12.8V/18Ah | LiFePO4 12.8V/30Ah | LiFePO4 12.8V/42Ah | LiFePO4 12.8V/54Ah |
| LED chip | 5050/24PCS | | 5050/48PCS | |
| CCT | 3000-6500K | | | |
| Lighting angle | 78°150 | | | |
| Working mode | Mode 1: 2H-100%,2H-70%,8H-20% Mode 2: 1H-100%,1.5H-80%,1.5H-60%, 1H-40%, 7H-20% | | | |
| Rainy days | 3~5 days | | | |
| Full-power lighting duration | 11H | 9H | 8.5H | 8H |
| Charing time | 4~7H | 5~8H | 6~9H | 6~9H |
| Material | Aluminum alloy | | | |
| Working temperature | -20°C ~ +60°C | | | |
| IP degree | IP65 | | | |
| Installation | Lighting pole | | | |
| Recommended lamp polediameter | 60MM | | | |
| Recommended installation height | 4~6M | 5~7M | 6~8M | 8~10M |
| Size | 478*215*102mm | | 610*215*102mm | |
| N.W | 2.3KG | | 2.6KG | |
| Carton size | L560*W295*H185/1pcs | | L690*W295*H185/1pcs | |
| Carton G.W | 3KG | | 3.5KG | |
| Carton | 1carton/1pcs | | | |
| Warranty | 3years | | | |

Installation

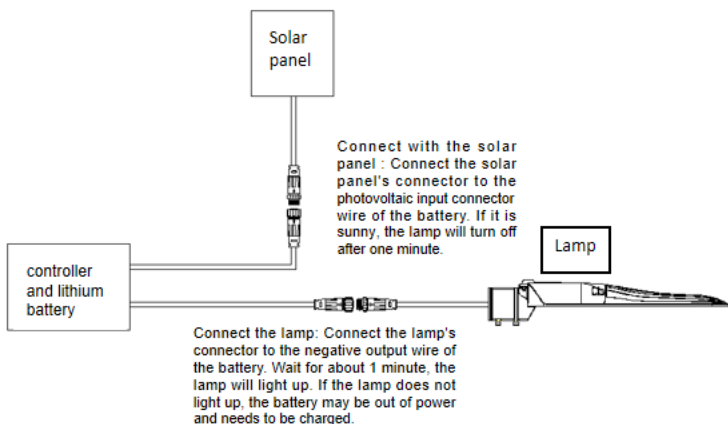


Warnings:

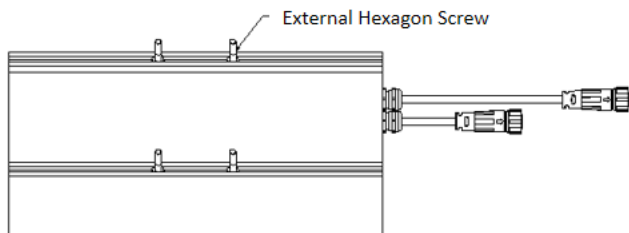
1. Cut off the main power before operation, it is strictly prohibited when it connects with electricity!
2. it must be connected with ground wire.

Lighting test

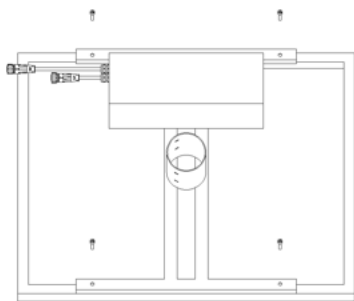
- ① Connect the lamp: Connect the lamp's connector to the negative output wire of the battery. Wait for about 1 minute, the lamp will light up. If the lamp does not light up, the battery may be out of power and needs to be charged.
- ② Connect with the solar panel: Connect the solar panel's connector to the photovoltaic input connector wire of the battery. If it is sunny, the lamp will turn off after one minute.



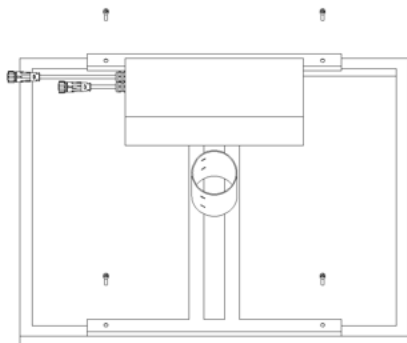
- ① Open the packaging of the lithium battery module and slide four M6*25MM hex screws into the slots of the lithium battery module;



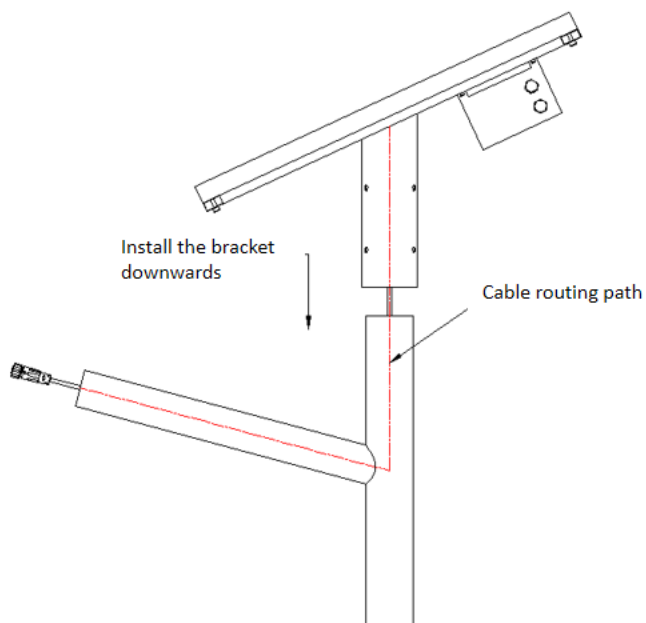
- ② Align the holes on the mounting bracket with the M6*25 hex screws, and tighten them.



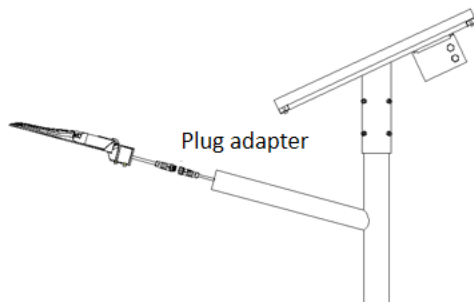
- ③ Unpack the solar panel and align the mounting brackets with the installation holes on the solar panel. using four M6*25 screws and nuts to tighten them.



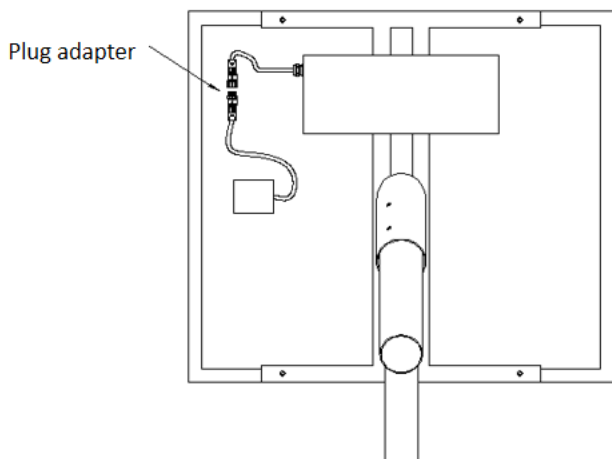
- ④ Thread the negative lead wire of the lithium battery module through the lamp pole arm, then fix the solar panel bracket onto the lamp pole, and tighten the screws.



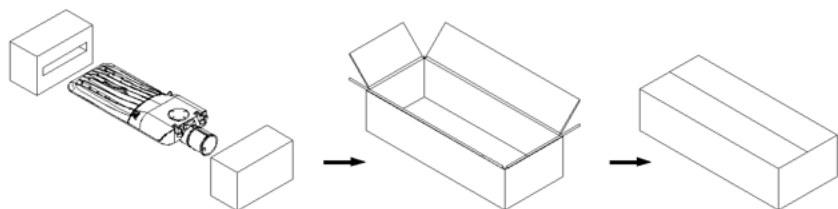
- ⑤ Tighten the lamp connector wire with the negative lead wire of the lithium battery module, then fix the lamp onto the lamp pole arm.



⑥ Finally, connect the solar panel output wire with the solar panel output wire of the lithium battery module to complete the installation.



Packaging



| Model No. | EXC-FR-RA2-020 | EXC-FR-RA2-040 | EXC-FR-RA2-060 | EXC-FR-RA2-080 |
|-----------|----------------|----------------|----------------|----------------|
| L(mm) | 560 | 560 | 690 | 690 |
| W(mm) | 295 | 295 | 295 | 295 |
| H(mm) | 185 | 185 | 185 | 185 |

Attentions

1. Any form of installation/uninstallation or maintenance and electrical work must only be performed by a qualified electrician.
2. All wiring should be done after cutting off the power.
3. The street light must be grounded.
4. Always keep the lens/diffuser of the product cleaned to maintain good light transmission.
5. Always keep the shell of light cleaned to maintain good heat dissipation.
6. Cleaning must only be done with dry or wet cloth and the high bay should not be exposed to corrosive substance.
7. High voltage inside the fixture, please do not disassemble it, serious electric shock may occur otherwise.



Shenzhen EXC-LED Technology Co., Ltd

EXC Industrial Park, No. 589 Kenong Road, Tangjia Community,
Fenghuang Street, Guangming District, Shenzhen, China