

Z05 Linear Diffuse Tunnel Light

EXC-TL-Z05 series

Version: R002

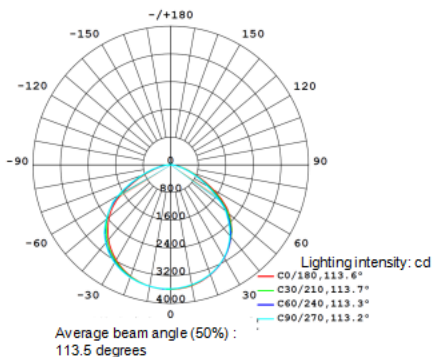


Introduction

- Adopts waterproof isolated switching power supply of famous brand, with high safety and reliability;
- Optoelectronic components can be tool-free quick-disassembly maintenance, up and down, front and back, left and right, angle adjustment;
- The surface of lamp body adopts outdoor electrostatic spraying technology, strong corrosion resistance and weather resistance, applicable to a variety of complex environments;
- Even lighting, see the lighting not see the lamp, no glare;
- PLC/ZIGBEE and other intelligent control options;
- Protection against electric shock: Class I;

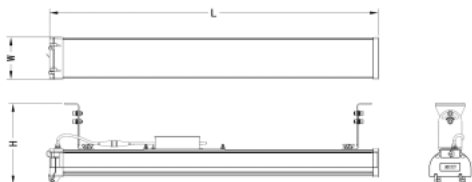


Lighting curve



Size

Model No.	Power (W)	Size (mm)			Screw size	Maximum windward area(m ²)	Weight (kg)
		L	W	H			
EXC-TL-Z05-10	10	1000	128	305	M10	0.1457	4.3
EXC-TL-Z05-15	15	1000	128	305	M10	0.1457	4.3
EXC-TL-Z05-20	20	1000	128	305	M10	0.1457	4.3
EXC-TL-Z05-30	30	1000	128	305	M10	0.1457	4.4
EXC-TL-Z05-40	40	1000	128 <td 305	M10	0.1457	4.4	
EXC-TL-Z05-50	50	1000	128	305	M10	0.1457	4.4
EXC-TL-Z05-60	60	1000	128	305	M10	0.1457	4.4
EXC-TL-Z05-70	70	1000	128	305	M10	0.1457	4.5
EXC-TL-Z05-80	80	1000	128	305	M10	0.1457	4.7
EXC-TL-Z05-90	90	1000	128	305	M10	0.1457	4.7
EXC-TL-Z05-100	100	1000	128	305	M10	0.1457	4.7
EXC-TL-Z05-120	120	1000	128	305	M10	0.1457	4.8
EXC-TL-Z05-150	150	1000	128	305	M10	0.1457	5.0
EXC-TL-Z05-200	200	1200	128	305	M10	0.1820	5.5



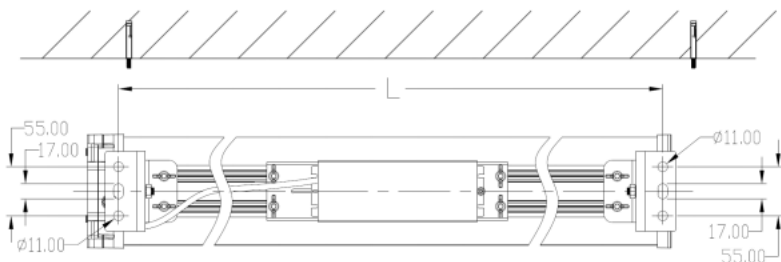
Performance

Model No.	EXC-TL-Z05														
Power(W)	10	15	20	30	40	50	60	70	80	90	100	120	150	200	
Voltage (V)	90-305Vac														
Frequency (Hz)	50/60Hz ±3Hz														
PF	≥0.9														
Driver efficiency	≥88%			≥89%			≥92%								
Rated input voltage	100-277Vac														
Input voltage range	90-305Vac														
Maximum input current (A)	0.12	0.18	0.24	0.36	0.48	0.60	0.72	0.84	0.96	1.08	1.21	1.45	1.81	2.42	
Harmonic distortion	<15%														
LED chip	EMC2835、3030														
LED chip	Lumiled LEDs														
Driver	Moso、Sosen、Inventronic、Meanwell														
Lighting efficiency(lm/W)	120Lm/W±10%														
Ra	>70														
CCT	3000K/4000K/5000K/5700K														
Lighting angle	110°														
Tc (°C)	≤80 (Ta=25°C)														
Working temperature (°C)	-40~+50														
Working humidity	10%-90%														
Lifespan (H)	50000														
IK degree	IK08														
IP degree	IP66														
N.W(kg)	4.3	4.3	4.3	4.4	4.4	4.4	4.4	4.5	4.7	4.7	4.7	4.8	5.0	5.5	
G.W(kg)	5.3	5.3	5.3	5.4	5.4	5.4	5.4	5.5	5.7	5.7	5.7	5.8	6.0	6.7	
Size (mm)	1000*128*305(10W~150W); 1200*128*305(200W)														
Carton size (mm)/pcs	1095*475*230(10W~150W); 1295*475*230(200W)														
Material	Aluminum Alloy 6063-T5/ Ultra White Cloth Tempered Glass														
Installation method	Bracket														

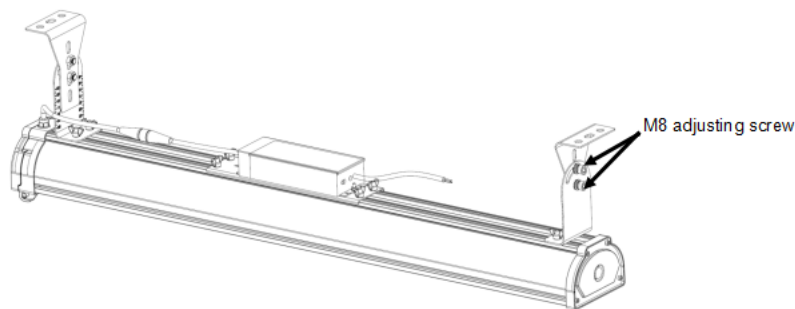
Installation

Step 1: Drilling Installation

According to the mounting bracket hole size diagram, drill the mounting holes, and drive the M10 expansion bolts into the mounting holes (recommended screw length > 80, drilling depth > 80), mounting hole spacing L: 587~987mm (10W~150W); 787~1187mm (200W).



Mounting bracket hole dimension drawing (unit: mm)



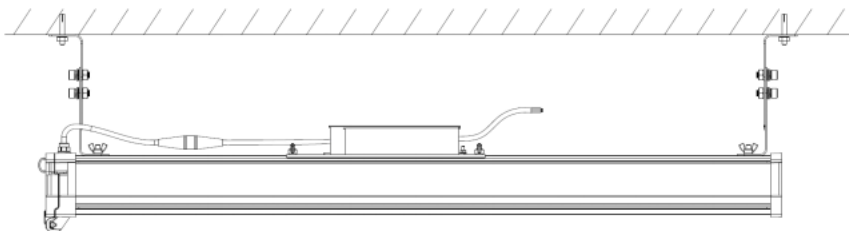
Step 2: Adjust the lighting direction

The luminous surface is vertically downward by default, and the angle of the lamp can be adjusted according to the demand of lighting output. Loosen the M8 adjusting screw on the bracket and lock the M8 adjusting screw after adjusting the angle of the fixture to fit.

Installation

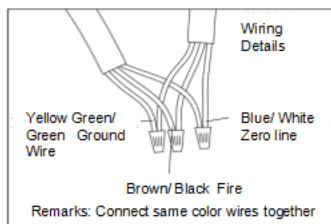
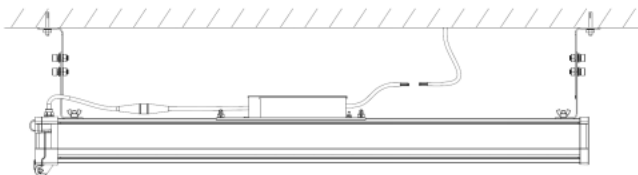
Step 3: Locking the lamp body

Lock the luminaire to the concrete wall with flat washers, spring washers and M10 nuts.



Step 4: Connect the wires

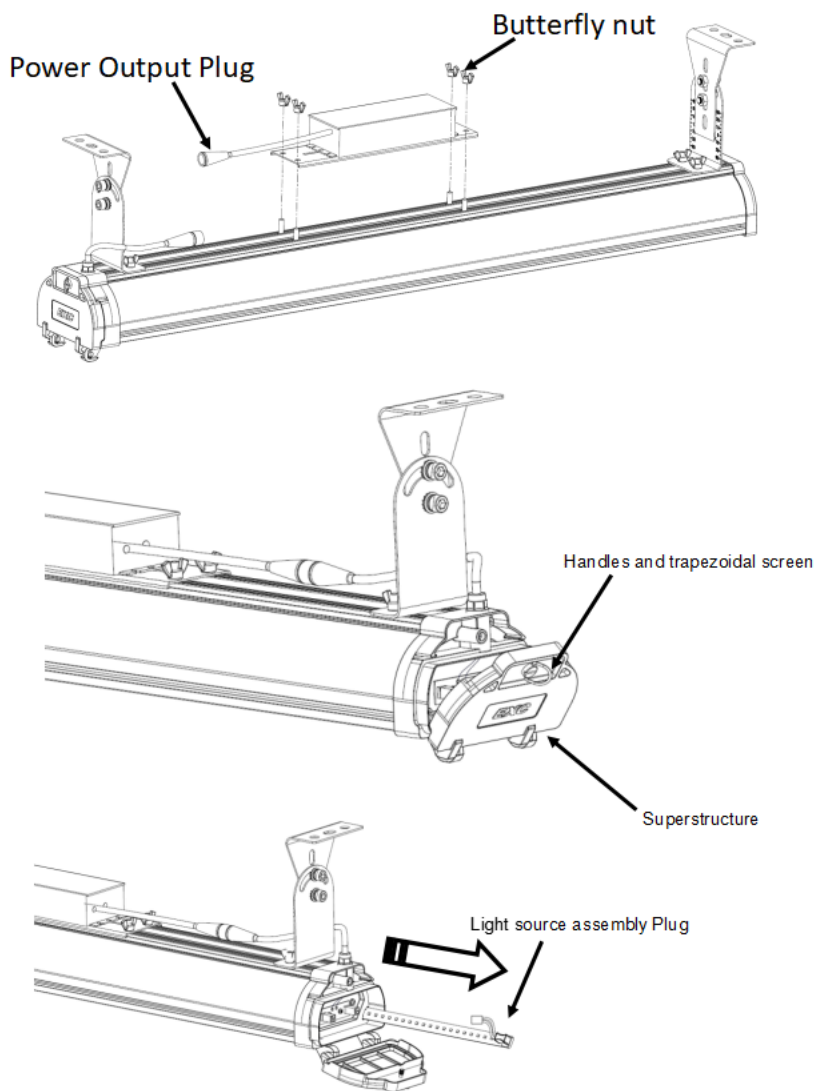
Connect the input cable of the tunnel light to the utility line, and connect the corresponding wires as shown in the diagram to ensure that the color and polarity of the wires are the same (please refer to the detail drawing). After connecting the wires, it is necessary to make waterproof and anti-stretching treatment accordingly.



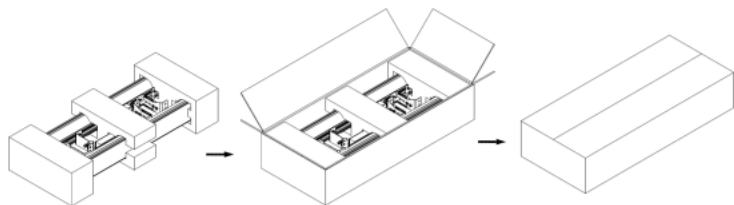
Installation

Maintenance Schematic:

Power Supply Assembly Maintenance: The power supply assembly can be quickly replaced by removing the four butterfly nuts and the power output plug by hand.



Packaging



Attentions

1. Any form of installation/uninstallation or maintenance and electrical work must only be performed by a qualified electrician.
2. All wiring should be done after cutting off the power.
3. The street light must be grounded.
4. Always keep the lens/diffuser of the product cleaned to maintain good light transmission.
5. Always keep the shell of light cleaned to maintain good heat dissipation.
6. Cleaning must only be done with dry or wet cloth and the high bay should not be exposed to corrosive substance.
7. High voltage inside the fixture, please do not disassemble it, serious electric shock may occur otherwise.



Shenzhen EXC-LED Technology Co., Ltd

EXC Industrial Park, No. 589 Kenong Road, Tangjia Community,
Fenghuang Street, Guangming District, Shenzhen, China