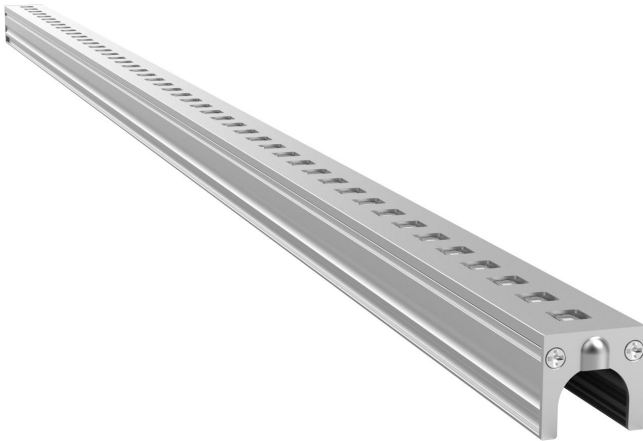


EXC-U30NBB0 LED Linear light



Application Environment:
Indoor
Outdoor

Product description:

EXC-U30NBB0 series products are extra-narrow LED linear light with aluminum shell for outdoor landscape decoration. The width of EXC-U30NBB0 is only 30mm, each one with 8 pixels and each pixel can realize 256 grade gray scale color changing. EXC-U30NBB0 can be applicable for super large area displaying or outline the building. It also can be used to decorate facade inside and outside, even small area wall-washing effect.

Features

- The newest generation technology: DMX512 parallel bus design
- higher efficiency, better heat dissipation design, more reliable;
- full-sealed filling waterproof design by German imported glue
- Out-door lightning protection and electrostatic discharge(ESD) protection design
- Support DC48V remote power supply technology
- CCC, ETL, CE approved.

Basic Specifications

Color Range	W/RGB/RGBW/RGB+W
Light Source	SMD W/RGB 3in1/RGBW 4in1 LED
Source Life	35,000 h
Material	High strength aluminum alloy+aluminium sash
Weight	0.65Kg

Environmental Specifications

Working Temperature	-40°C to 50°C
Storage Temperature	-40°C to 70°C
Protection Rating	IP66

Electrical Specifications

Working Voltage	DC24/48V
Max. Power Consumption	18W(RGBW)

Optical Specifications

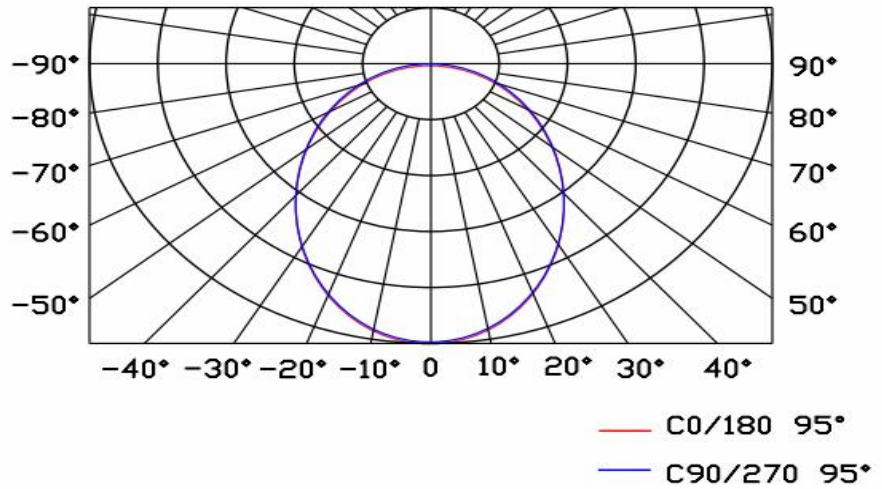
Beam Angle $\geq 95^\circ$

Controller

Host Controller EXC-Y220 、 EXC-Y880 、 EXC-M520 、 EXC-M620 、 EXC-M630
EXC-M830 、 EXC-6000 、 EXC-8000 、 EXC-10000
Slave Controller EXC-2905T、 EXC-S880

Light Intensity Distribution

Light Intensity Chart



Order Info

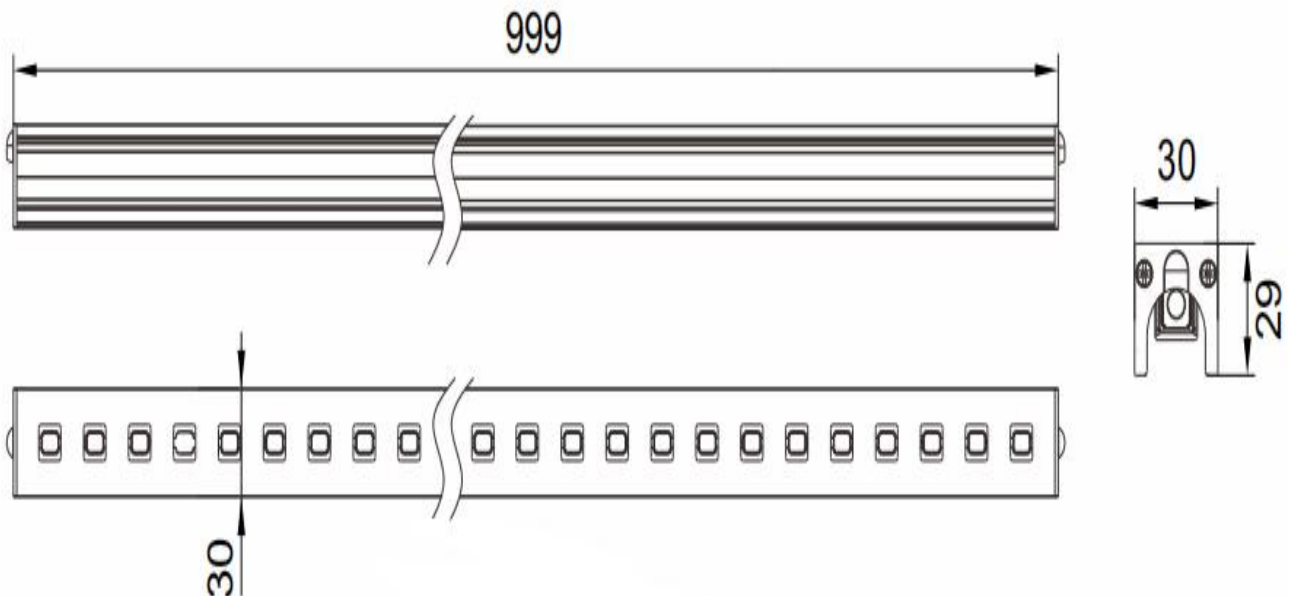
Product Model	Voltage	Power	Light Source	Control Protocol	Gray Scale Level	Material	Luminous Efficacy	LED Brand
U30NBB0	DC24V	12W	48 pc RGB	DMX51	256 /65536	aluminum	≥25lm/w	Optional
U30NBB0	DC24V	12W	60 pc RGB	DMX51	256 /65536	aluminum	≥25lm/w	Optional
U30NBB0	DC24V	15W	48 pc RGBW	DMX51	256 /65536	aluminum	≥35lm/w	Optional
U30NBB0	DC24V	18W	60 pc RGBW	DMX512	256 /65536	aluminum	≥35lm/w	Optional
U30NBB0	DC24V	12W	24 pc RGB+24 pc W	DMX512	256 /65536	aluminum	≥35lm/w	Optional
U30NBB0	DC24V	15W	30 pc RGB+30 pc W	DMX512	256 /65536	aluminum	≥35lm/w	Optional
U30NBB0	DC48V	10W	48 pc RGB	DMX512	256 /65536	aluminum	≥20lm/w	Optional
U30NBB0	DC48V	10W	48 pc RGBW	DMX512	256 /65536	aluminum	≥30lm/w	Optional

Note 1: LED brands: CREE/OSRAM/LUMILEDS/Taiwanese/Chinese options available

Note 2: For optical parameters above 2700K, CREE/OSRAM/LUMILEDS chips are used as references

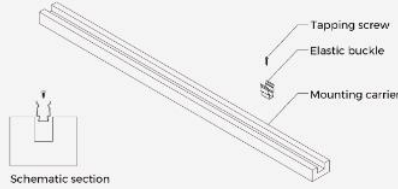
Physical Dimension

Unit: mm



Installation Diagram

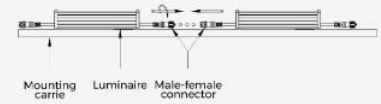
Elastic Snap Mount Note: The product is installed vertically and the fall arrest wire rope must be added.



1. Use ST4 self-tapping screws to fix the elastic clips to the position of the mounting carrier. The exact spacing is required by the length of the luminaire;



2. Snap the fixture onto the elastic clips, taking care to install it securely;

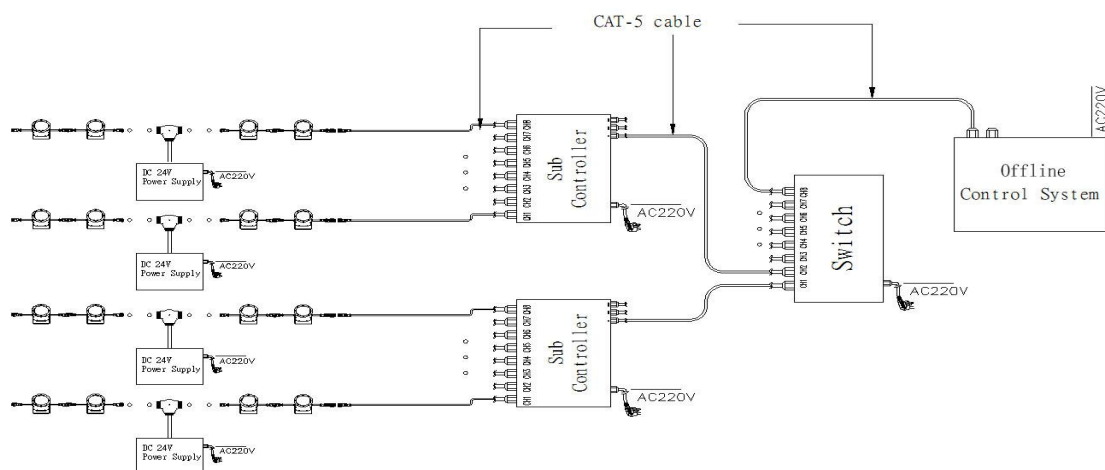


3. Finally, after inserting the male and female connectors, turn the knob on the female end to lock it, take care to install it firmly.

System connection diagram:

- 1、Host controller should connect with slave controller. Working voltage for controllers are AC220V.
- 2、On-line main controller should connect with slave controller, on-line main controller and sub controller working voltage are AC220V.
- 3、each sub-controller with 8 ports, with each port 512 pixels, supporting data converter, supports 100 meters ultra-long haul transmission.
- 4、The CAT-5 e. cable distance should be within 100 meters between host controller and slave controller, between slave controllers and switch, etc.
- 5、the maximum spacing of not more than 5 meters, more than the need to add a signal amplifier.

Offline Controlling System Diagram



Online Controlling System Diagram

