

EXC-W45SBL LED Wall Washer



Application Environment:
Indoor
Outdoor

Description

EXC-W45SBL series product is a high-strength aluminum alloy shell specially designed for outdoor landscape lighting. The strip can be used for specific lighting areas or landscape coloring. It is applied to building facades, bridges, stages, etc. the length of the lamp can be Provide a variety of specifications to choose from.

Features:

- New generation DMX512 parallel bus technology design
- Patent comb-shaped convection heat dissipation design
- Low thermal resistance path heat dissipation design
- Outdoor lighting protection and electrostatic discharge (ESD) protection design
- Height of wall washing: 3-5m

Basic Specifications

Color Range	W/RGBW
Light Source	SMD W /RGBW 4in1 LED
Source Life	35,000h
Material	High-strength aluminum alloy/tempered glass
Weight	2.66Kg

Environmental Specifications

Working Temperature	-40°C-50°C
Storage Temperature	-40°C-70°C
Protection Rating	IP68
Application Environment	Outdoor

Electrical Specifications

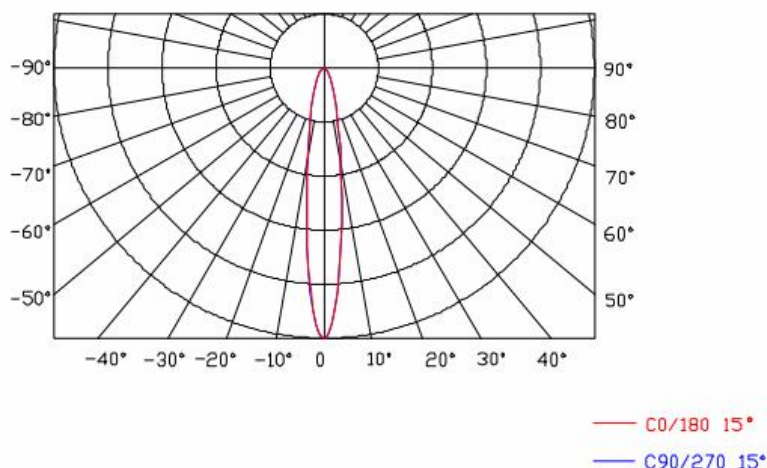
Working Voltage	DC24V
Max. Power Consumption	24W

Optical Specifications

Beam Angle	15°、15*25°、15*55°、
Controller	
Host Controller	EXC-Y220、EXC-Y880、EXC-M520、EXC-M620、EXC-M630 EXC-M830、EXC-6000、EXC-8000、EXC-10000
Slave Controller	EXC-2905T、EXC-S880

Light Intensity Distribution

Light Intensity Chart



Order Info

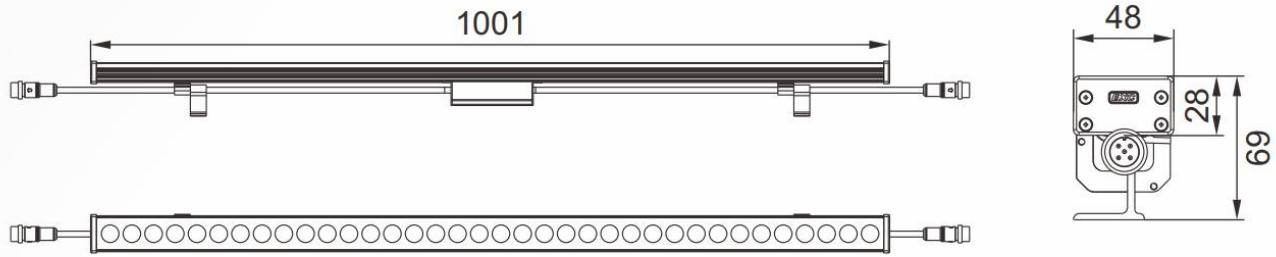
Product Model	Voltage	Power	Light Source	Angle	Control Protocol	Gray Scale Level	Material	Luminous Efficacy	LED Brand
W45SBL	DC24V	36W	18 pc RGBW	20*40/20/30/45/60°	DMX512	256/65536	aluminum	≥35lm/w	Optional
W45SBL	DC24V	36W	24 pc RGBW		DMX512	256/65536	aluminum	≥35lm/w	Optional
W45SBL	DC24V	48W	24 pc RGBW		DMX512	256/65536	aluminum	≥35lm/w	Optional
W45SBL	DC24V	36W	36 pc W	10/15*25/15*55 /15/20*40 /20/30/45/60°	DMX512	256	aluminum	≥70lm/w	Optional
W45SBL	DC24V	48W	36pc W		DMX512	256	aluminum	≥70lm/w	Optional
W45SBL	DC24V	36W	36 pc W		DMX512	/	aluminum	≥70lm/w	Optional

Note 1: LED brands: CREE/OSRAM/LUMILEDS/Taiwanese/Chinese options available

Note 2: For optical parameters above 2700K, CREE/OSRAM/LUMILEDS chips are used as references

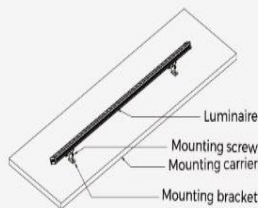
Physical Dimension

Unit: mm



Installation Diagram

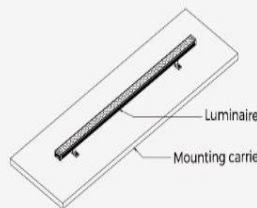
Lighting Installation



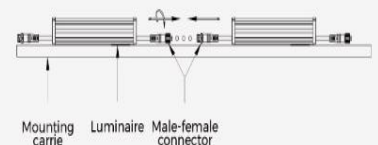
1. Rotate the bracket at an angle so that the bracket mounting holes are exposed;



2. Secure the luminaire to the mounting carrier with the mounting screws as shown;



3. Rotate the fixture to the desired angle, taking care to mount it securely;

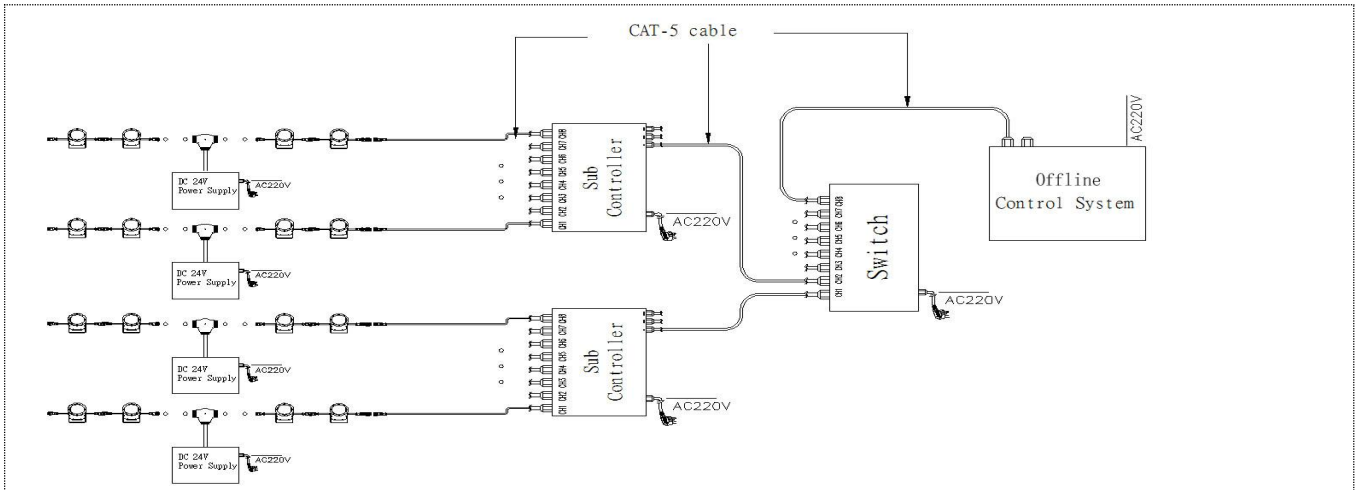


4. Finally, after inserting the male and female connectors, turn the knob on the female end to lock it, take care to install it firmly.

System connection diagram:

- 1、 Host controller should connect with slave controller. Working voltage for controllers are AC220V.
- 2、 On-line main controller should connect with slave controller, on-line main controller and sub controller working voltage are AC220V.
- 3、 each sub-controller with 8 ports, with each port 512 pixels, supporting data converter, supports 100 meters ultra-long haul transmission.
- 4、 The CAT-5 e. cable distance should be within 100 meters between host controller and slave controller, between slave controllers and switch, etc.
- 3、 5、 the maximum spacing of not more than 5 meters, more than the need to add a signal amplifier.

Offline Controlling System Diagram



Online Controlling System Diagram

