

**EXC-W50DBL LED Wall Washer**



Application Environment:  
Indoor  
Outdoor

**Description:**

**EXC-W50DBL** product is a high-strength aluminum alloy shell, diamond The strip-shaped high-power wall washer can be used for coloring in specific lighting areas or landscapes, and is applied to building facades, bridges, stages, etc.; the length of the lamp is available in a variety of specifications.

**Features:**

- Unique appearance, diamond-shaped end face
- High-strength aluminum alloy lamp body, low thermal resistance and heat dissipation design
- New Generation DMX512 Parallel Bus Technology Design
- Outdoor lighting protection and electrostatic discharge (ESD) protection design
- Height of wall washing: 2-4m

**Basic Specifications**

Color Range	W/RGB/RGBW
Light Source	SMD R/G/B/W LED
Source Life	35,000h
Material	High-strength aluminum alloy/tempered glass
Weight	2.5Kg

**Environmental Specifications**

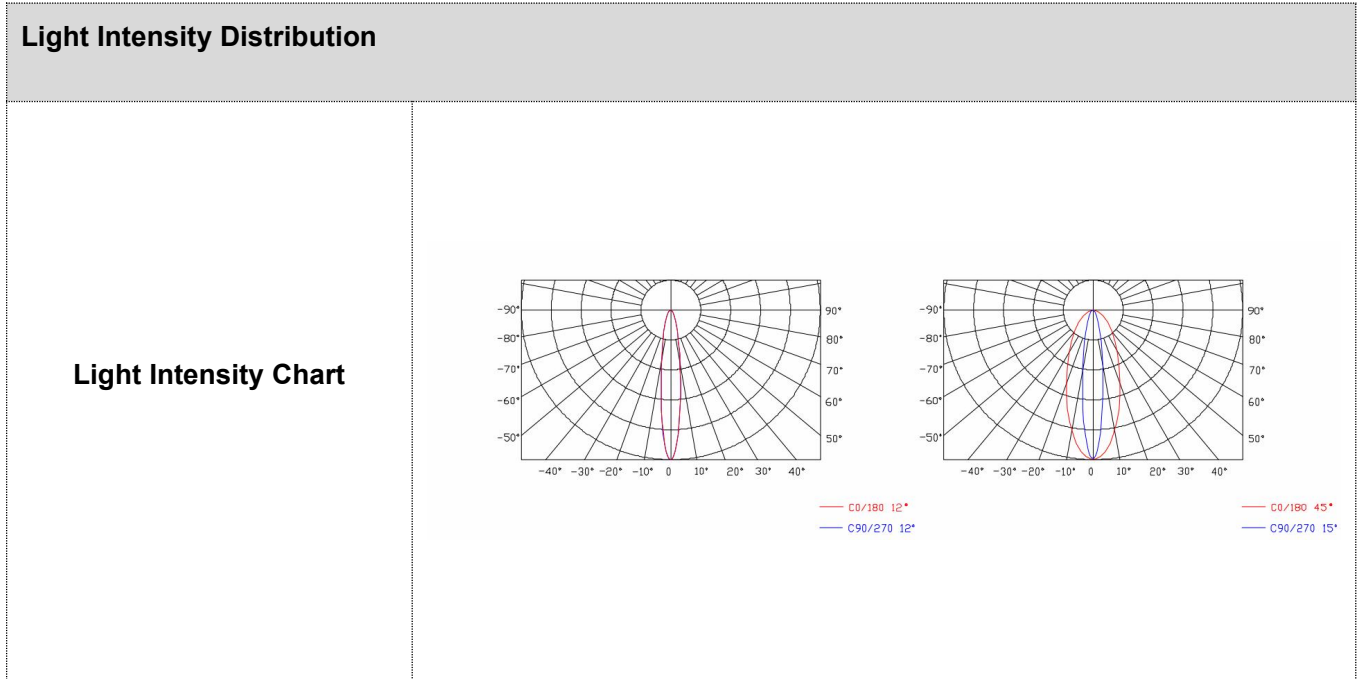
Working Temperature	-40°C-50°C
Storage Temperature	-40°C-70°C
Protection Rating	IP66
Application Environment	Outdoor

**Electrical Specifications**

Working Voltage	DC24V
Max. Power Consumption	36W

**Optical Specifications**

Beam Angle	12°、15*45°、
<b>Controller</b>	
Host Controller	EXC-Y220、EXC-Y880、EXC-M520、EXC-M620、EXC-M630 EXC-M830、EXC-6000、EXC-8000、EXC-10000
Slave Controller	EXC-2905T、EXC-S880



<b>Order Info</b>									
Product Model	Voltage	Power	Light Source	Angle	Control Protocol	Gray Scale Level	Material	Luminous Efficacy	LED Brand
W50DB L	DC24V	36W	36 pc W	12/15*45°	DMX512	256/65536	aluminum+glass	≥75 lm/w	Optional
W50DB L	DC24V	24W	48 pc RGB	15*45/15*60°	DMX512	256/65536	aluminum+glass	≥35 lm/w	Optional
W50DB L	DC24V	24W	48 pc RGB W	15*45/15*60°	DMX512	256/65536	aluminum+glass	≥40 lm/w	Optional
W50DR L	DC24V	36W	36 pc W	12/15*45°	DMX512	256/65536	aluminum+glass	≥75 lm/w	Optional
W50DR L	DC24V	24W	48 pc RGB	15*45/15*60°	DMX512	256/65536	aluminum+glass	≥35 lm/w	Optional
W50DR L	DC24V	24W	48 pc RGB W	15*45/15*60°	DMX512	256/65536	aluminum+glass	≥40 lm/w	Optional

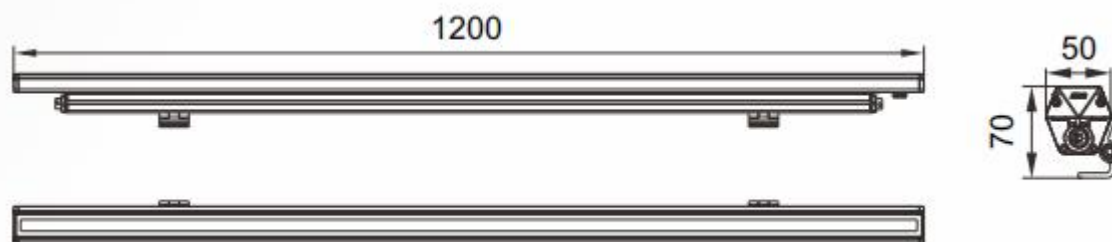
Note 1: LED brands: CREE/OSRAM/LUMILEDS/Taiwanese/Chinese options available

Note 2: For optical parameters above 2700K, CREE/OSRAM/LUMILEDS chips are used as

## references

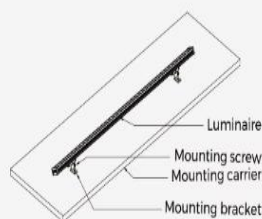
### Physical Dimension:

Unit: mm



### Installation Diagram:

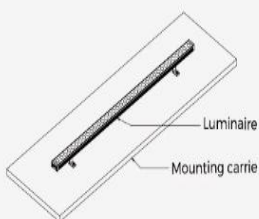
#### Lighting Installation



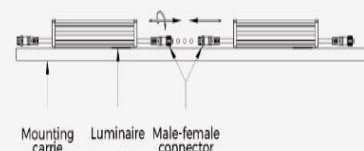
1. Rotate the bracket at an angle so that the bracket mounting holes are exposed;



2. Secure the luminaire to the mounting carrier with the mounting screws as shown;



3. Rotate the fixture to the desired angle, taking care to mount it securely;

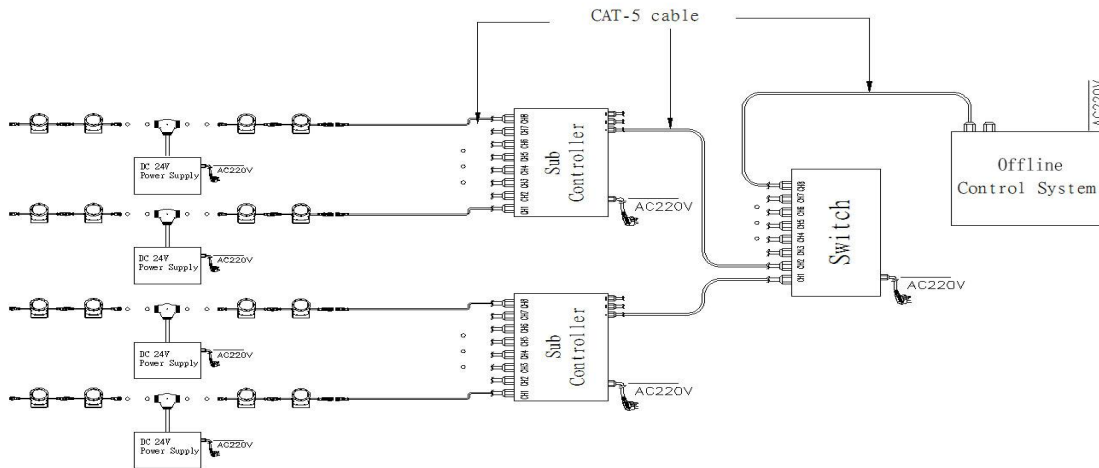


4. Finally, after inserting the male and female connectors, turn the knob on the female end to lock it, take care to install it firmly.

### System connection diagram:

- 1、 Host controller should connect with slave controller. Working voltage for controllers are AC220V.
- 2、 On-line main controller should connect with slave controller, on-line main controller and sub controller working voltage are AC220V.
- 3、 each sub-controller with 8 ports, with each port 512 pixels, supporting data converter, supports 100 meters ultra-long haul transmission.
- 4、 The CAT-5 e. cable distance should be within 100 meters between host controller and slave controller, between slave controllers and switch, etc.
- 3、 5、 the maximum spacing of not more than 5 meters, more than the need to add a signal amplifier.

### Offline Controlling System Diagram



### Online Controlling System Diagram

